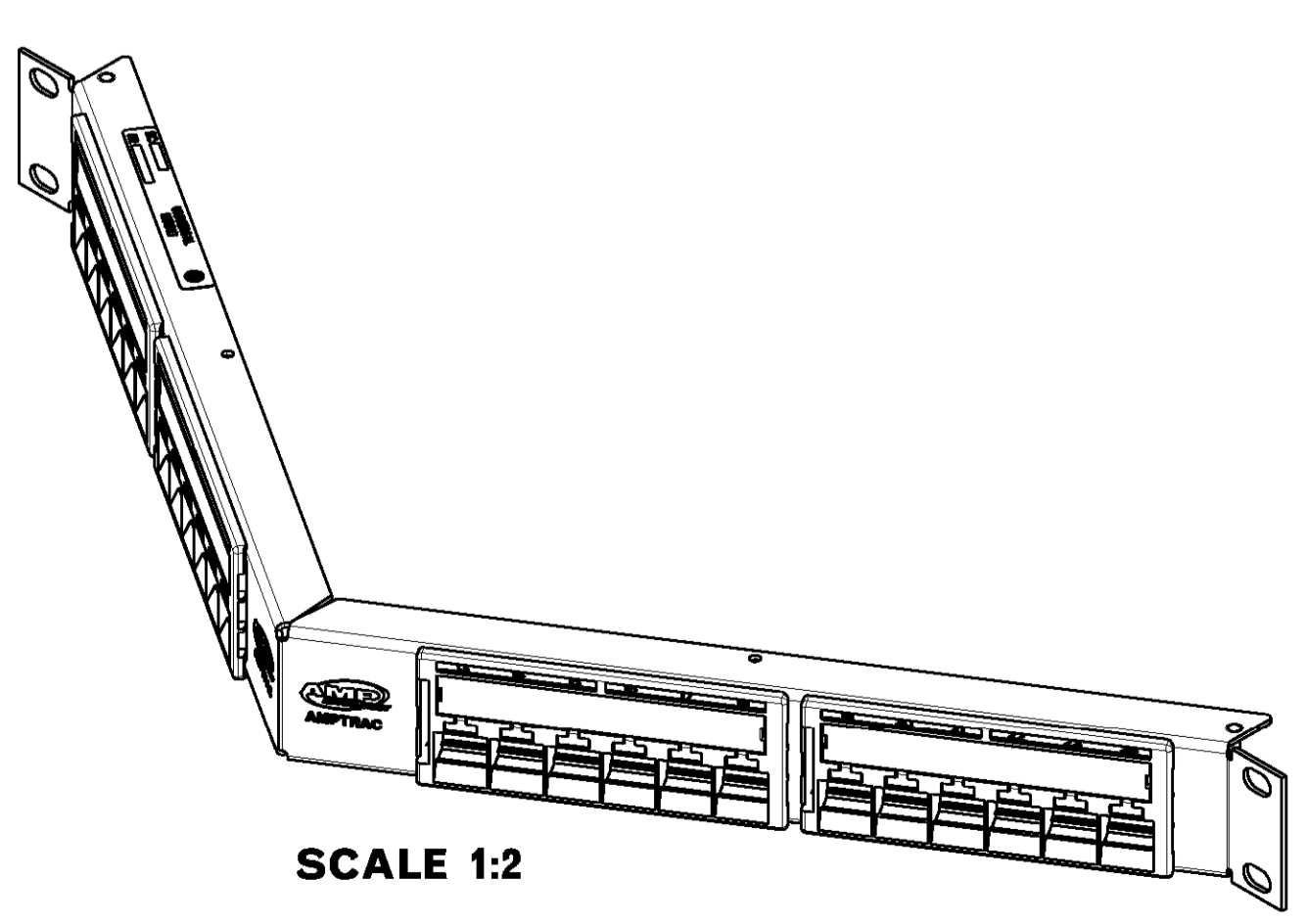
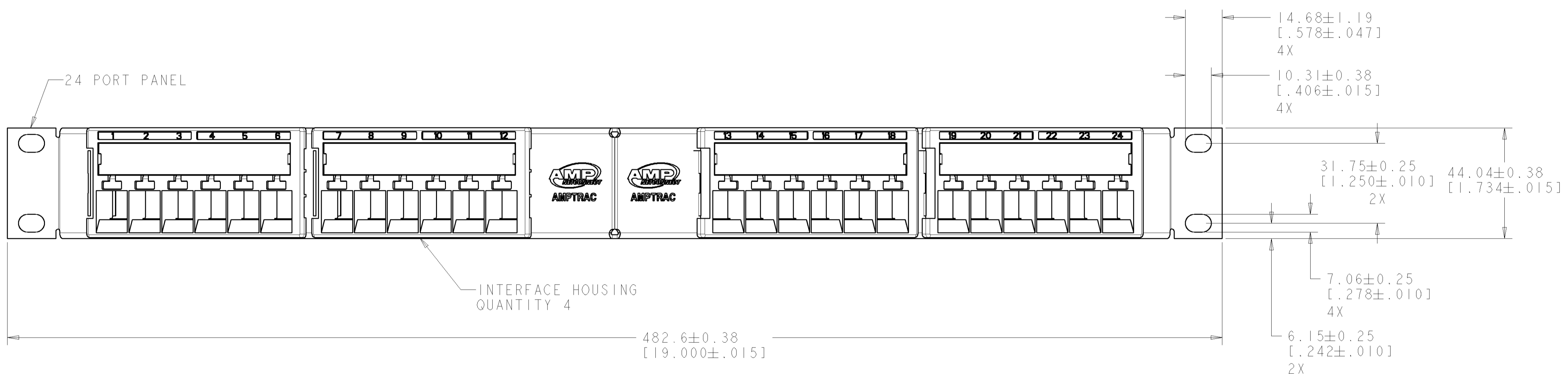
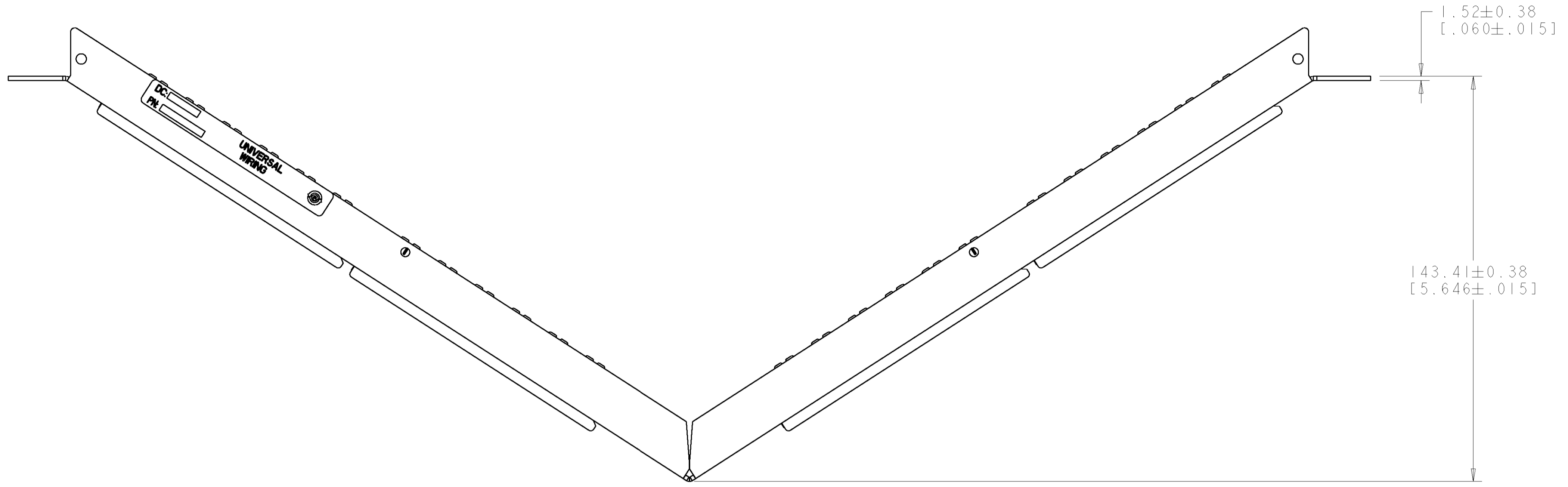


LOC		DIST		REVISIONS			
HM	00	P	LTR	DESCRIPTION	DATE	DWN	APVD
		A		NSD07-041	23MAY2007	JM	SH
		B		REV: ECO-07-022804	10OCT2007	GG	SH

- △ MATERIAL:
 CONNECTOR HOUSING, INTERFACE: POLYESTER MOLDING COMPOUND, BLACK.
 PANEL: BLACK POWDER COAT STEEL WITH WHITE MARKINGS.
 AMPTRAC CONTACT : PHOS BRONZE.
2. FOUR BLACK 12-24 X 12.7 [.500] LONG AND FOUR 10-32 X 12.7 [.500] LONG CARBON STEEL CROSS RECESSED SCREWS FOR MOUNTING OF PANEL, SHIPPED LOOSE. NOT SHOWN ON DRAWING.



1933325-1
 PART NUMBER

DIMENSIONS: MM [INCHES]		TOLERANCES UNLESS OTHERWISE SPECIFIED: 0 PLC ± 1 PLC ± 2 PLC ± 3 PLC ± 4 PLC ± ANGLES ±		DWN J MCNEAL 23MAY2007 CRK S HERNDON 23MAY2007 APVD S HERNDON 23MAY2007		tyco Electronics Tyco Electronics Harrisburg, PA 17105-3608	
MATERIAL: △		FINISH: △		NAME: KIT, PATCH PANEL ASSY, AMPTRAC 1U, 24P, MM, SHIELDED, ANGLED		SIZE: CAGE CODE DRAWING NO. RESTRICTED TO: A 00779 C=1933325 -	
CUSTOMER DRAWING				WEIGHT: -		SCALE: 1:1 SHEET 1 OF 1 REV B	